

EGNAR OIL MIST FILTER



OIL MIST FILTER 40

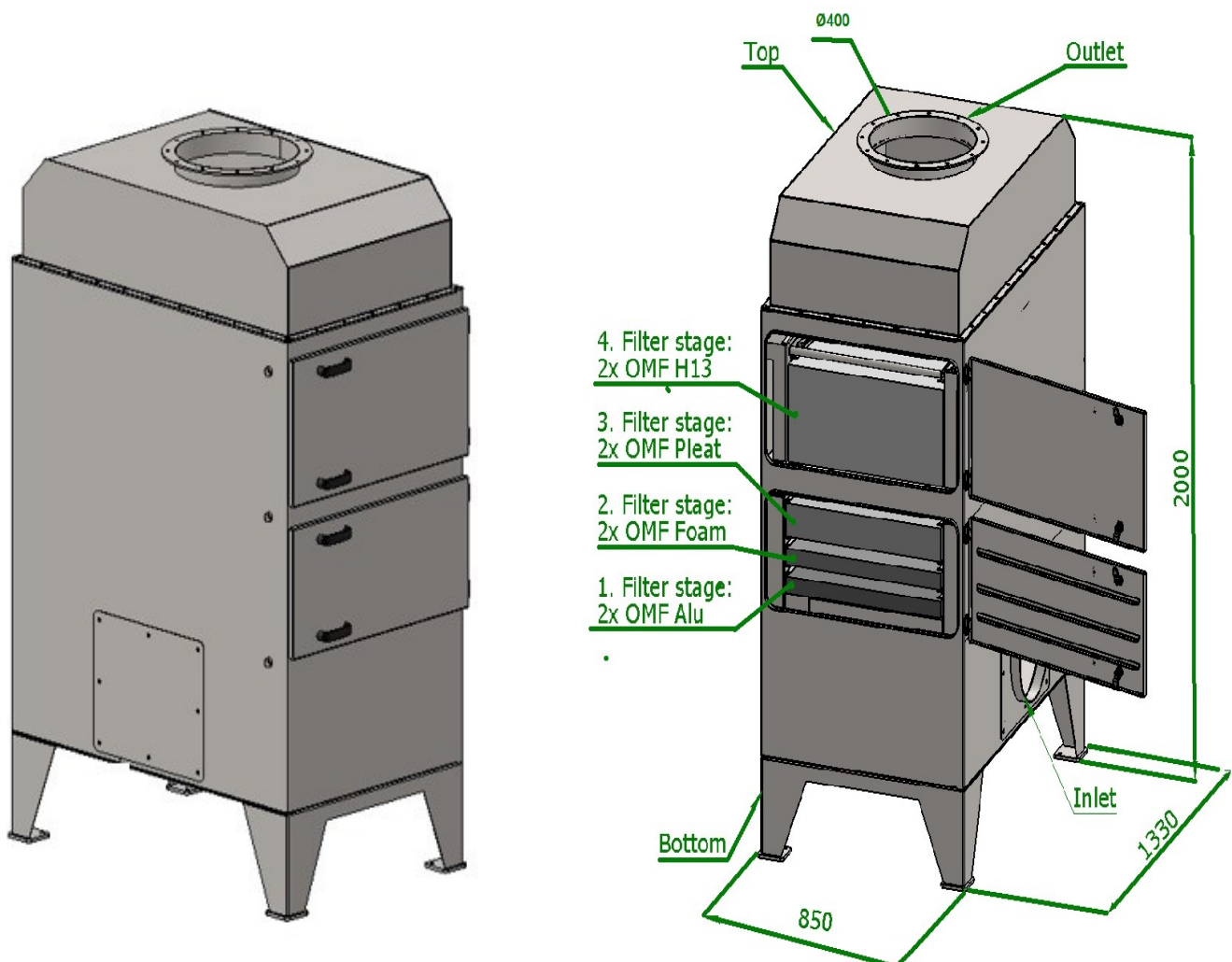
OMF 40 filter device has been developed for treatment of light air pollution by oil, emulsion and general cooling lubricants.

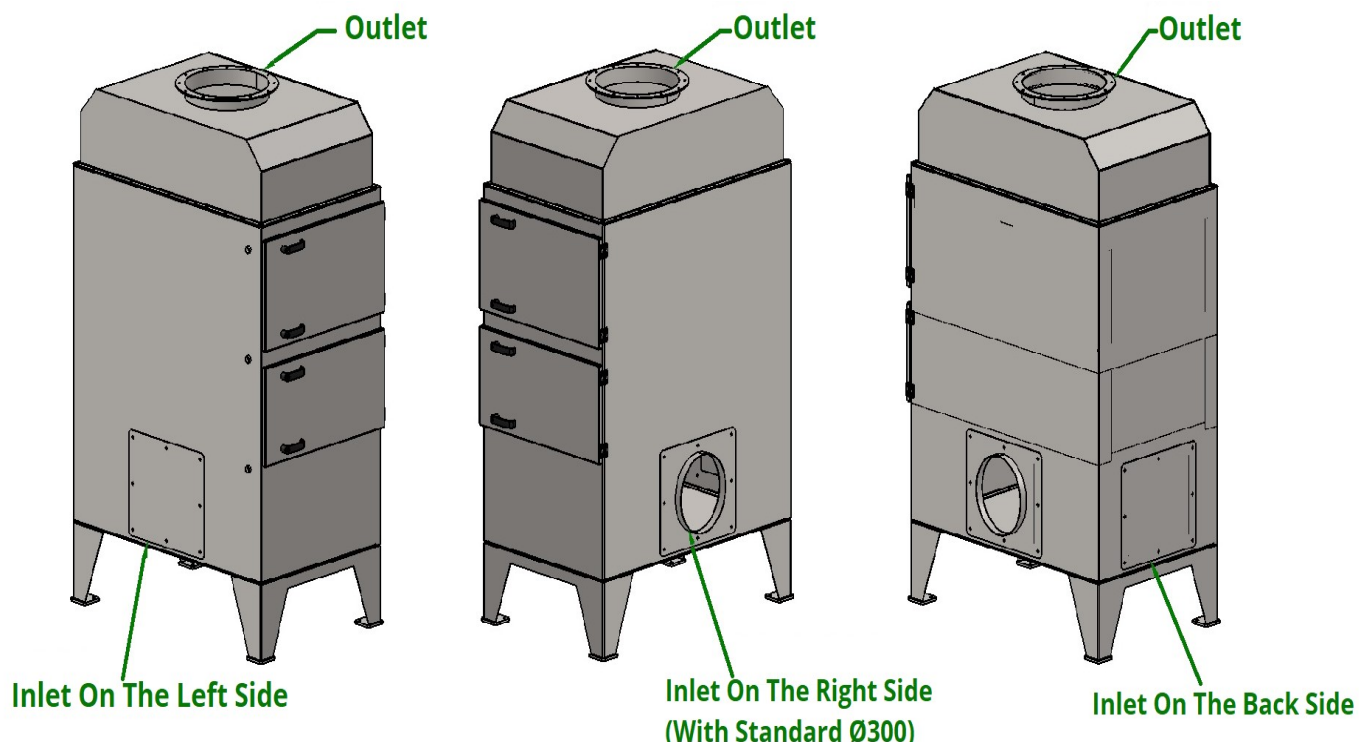
The filter contains four different cassettes ensuring a thorough and precise effectiveness in air filtration.

Inlets and Outlets can be tailored to your needs.

Additional equipment such as manometer are available on request.

Application range: Processes in which harmful substances are released in the form of gases, steams, mists and smoke during production processes. These processes include machining, reshaping, grinding and heat treatment.



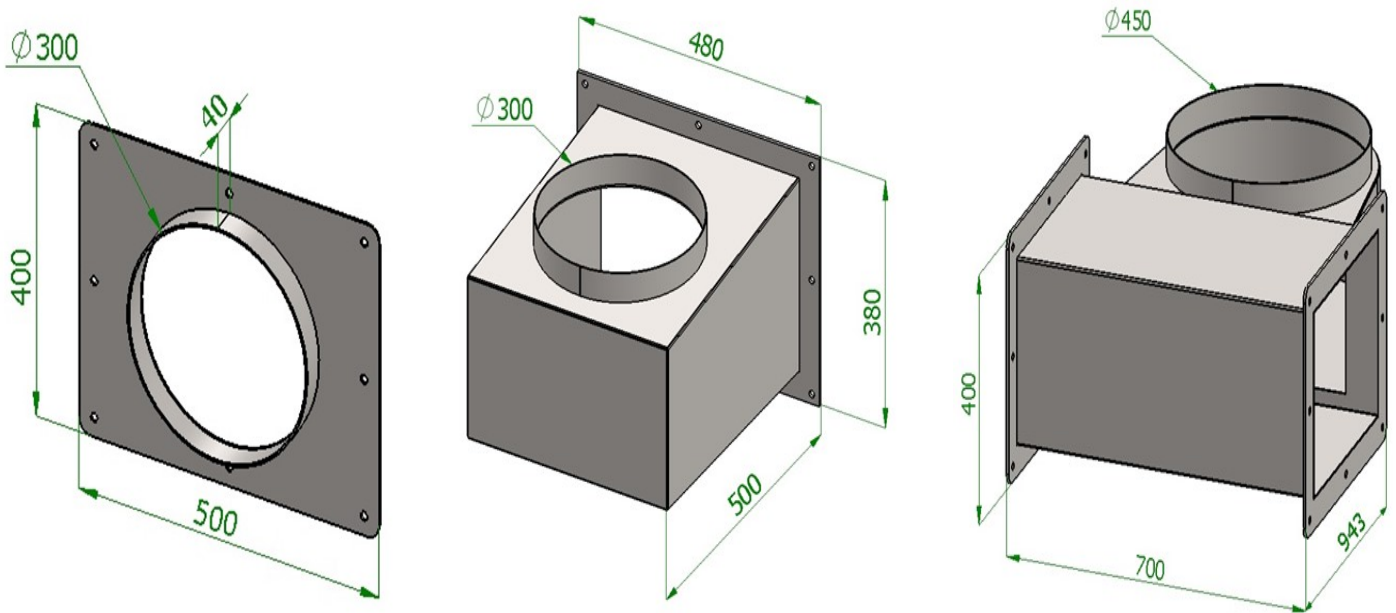


OIL MIST FILTER 40 DATA:	DATA
NOMINAL VOLUME FLOW	4000 m ³ /h
TOTAL FILTRATION EFFICIENCY (FOR PARTICLES ABOVE 0,3 µM)	99,95%
TOTAL FILTER SURFACE	95 m ²
1. FILTER STAGE	OMF Alu
2. FILTER STAGE	OMF Foam
3. FILTER STAGE	OMF Pleat
4. FILTER STAGE	OMF H13
MAX. UNDERPRESSURE	4000 Pa
OVERPRESSURE	No
MAX. WORKING TEMP.	<50 °C
HUMIDITY MAX. HUMIDITY	<100%
WEIGHT	300 kg
STANDARD COLOR	RAL 7038

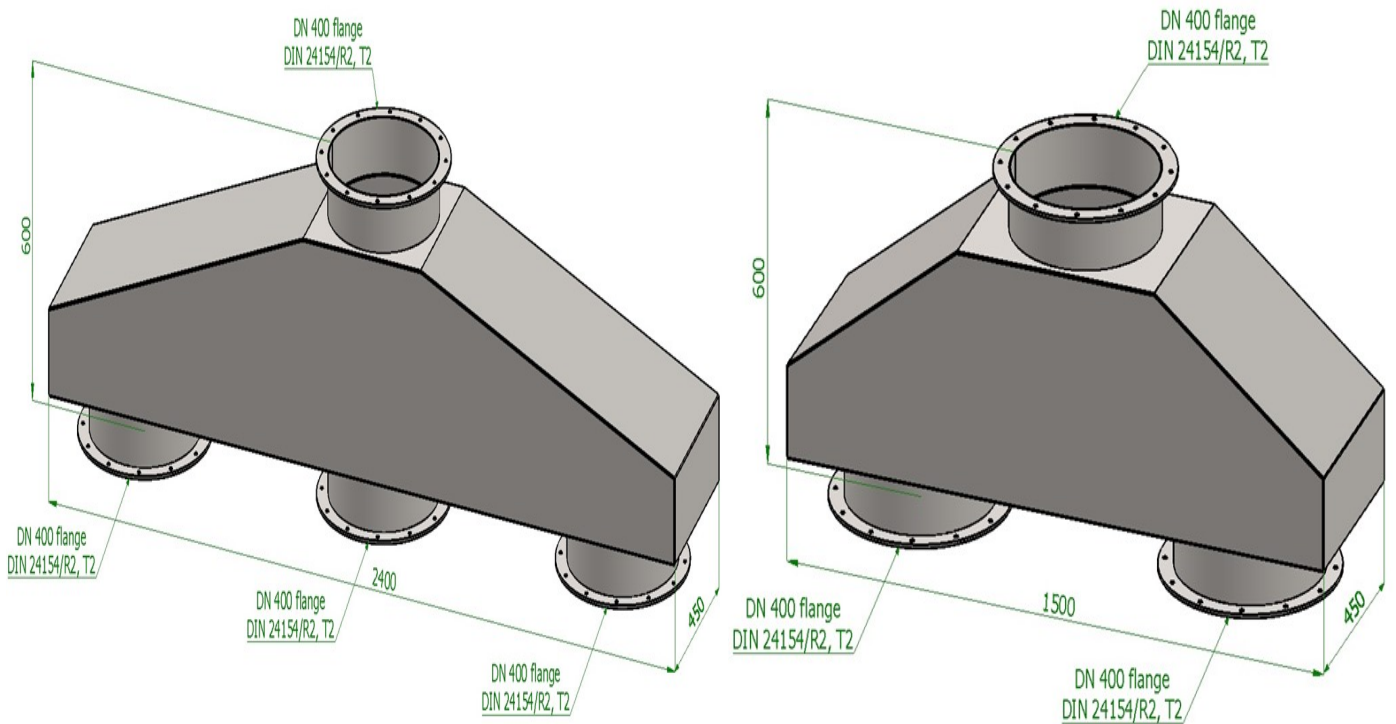
INLETS & OUTLETS

OMF 40 as a standard has three possibilities to mount an inlet and one possibility for an outlet. Inlets & Outlets can be tailored to your needs.

Inlets:




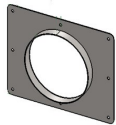
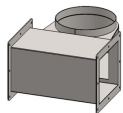
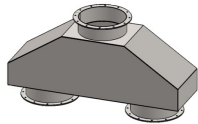
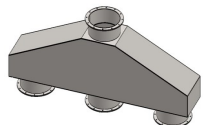

Outlets:



For tailoring the spareparts, please contact us

ITEMS

In the table below you can find the specifications and possibilities for the items presented in this brochure

	ITEM	ITEM NUMBER	TAILORING POSSIBILITY
	OMF 40	30130006	No
	Standard Inlet	Included in 3013006	No
	Inlet To Top DN300	50140473	Yes
	Inlet Connector DN450	50140474	Yes
	Connection Outlet (Two Filters)	50140475	Yes
	Connection Outlet (Three Filters)	50140476	Yes
	Filter Cassettes	40130294 - > 40130297	Yes

SEE EGNAR.EU FOR MORE DETAILS



EGNAR OIL MIST FILTER

Fabryka Maszyn Pomech S.A.
ul. Wejherowska 43
84-100 Puck
Poland

☎ +48 507 163 602

✉ pomech@pomech.pl

© by Teldust

Designed in Denmark, manufactured in Poland.

All rights reserved.

Teldust A/S and Pomech S.A. reserve the right to change or discontinue any model or specification at any time and without notice.

Version 2020-11.

SEE EGNAR.EU FOR MORE DETAILS