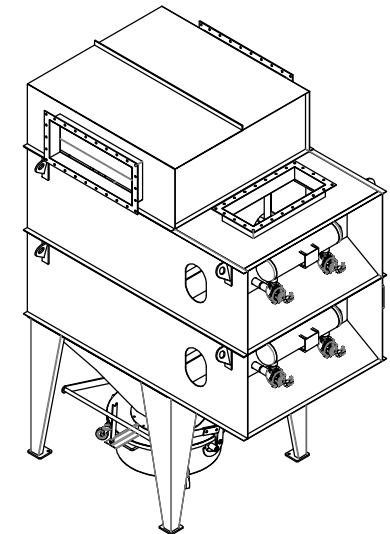
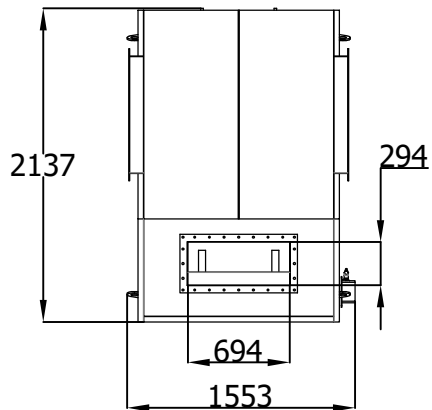
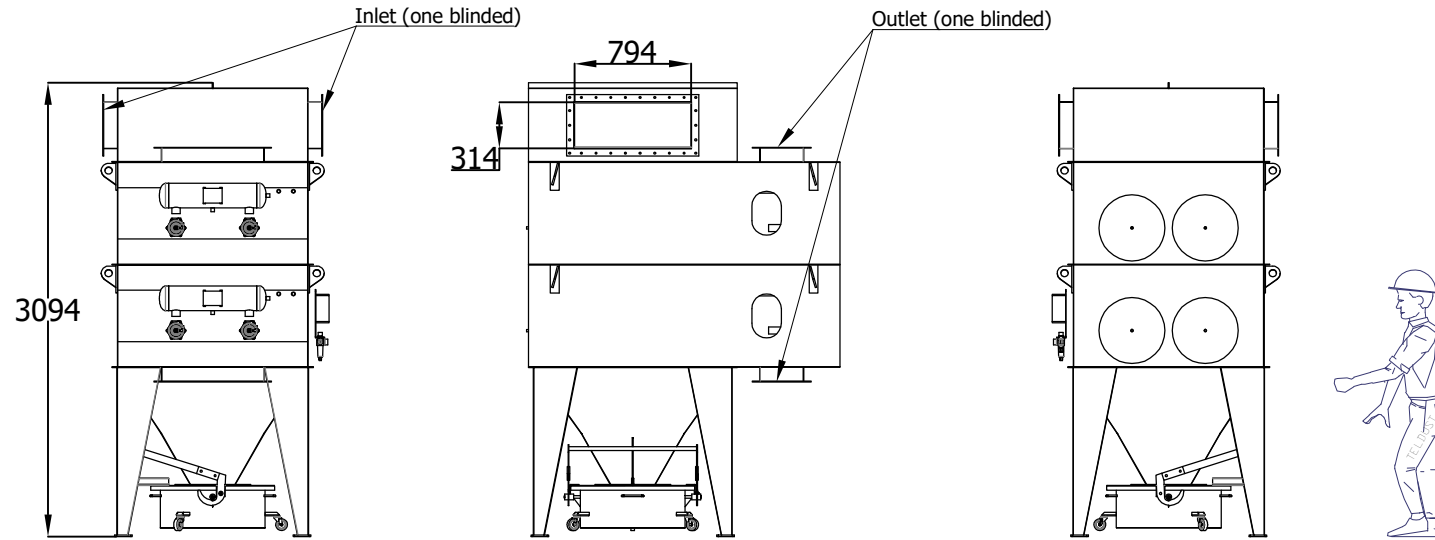


FILTER PARAMETERS	
FILTER TYPE	H2
NO. OF CARTRIDGES	8
RAL COLOR	7038



NET BRT
WEIGHT (KG): 950 1050

EGNAR		
TYPE OF FILTER	H 208	CONSTRUCTION MADE WI TOLERANCES +/- 2mm